

CAST IRON Y STRAINER HIGH TEMPERATURE PN16 FLANGES DIN 3202-1 F1

Cast iron Y strainer flanged PN16 for filtration of high temperature network, hot water, steam, compressed air, water treatment and irrigation.

Strainer with removable filter and bolted bonnet

Threaded BSP draining cap allowing to install a draining valve.

Certificate
3.1



PED/2014/68/UE
BUREAU VERITAS
Certification



Size : DN15 to DN200
Connection : Flanges RF PN10/16
Min Temperature : -10°C
Max Temperature : +300°C
Max Pressure : 16 Bars
Specifications : Removable stainless steel filter
Bolted bonnet with draining cap
High temperature

Materials : Cast iron EN GJL-250

CAST IRON Y STRAINER HIGH TEMPERATURE PN16 FLANGES DIN 3202-1 F1

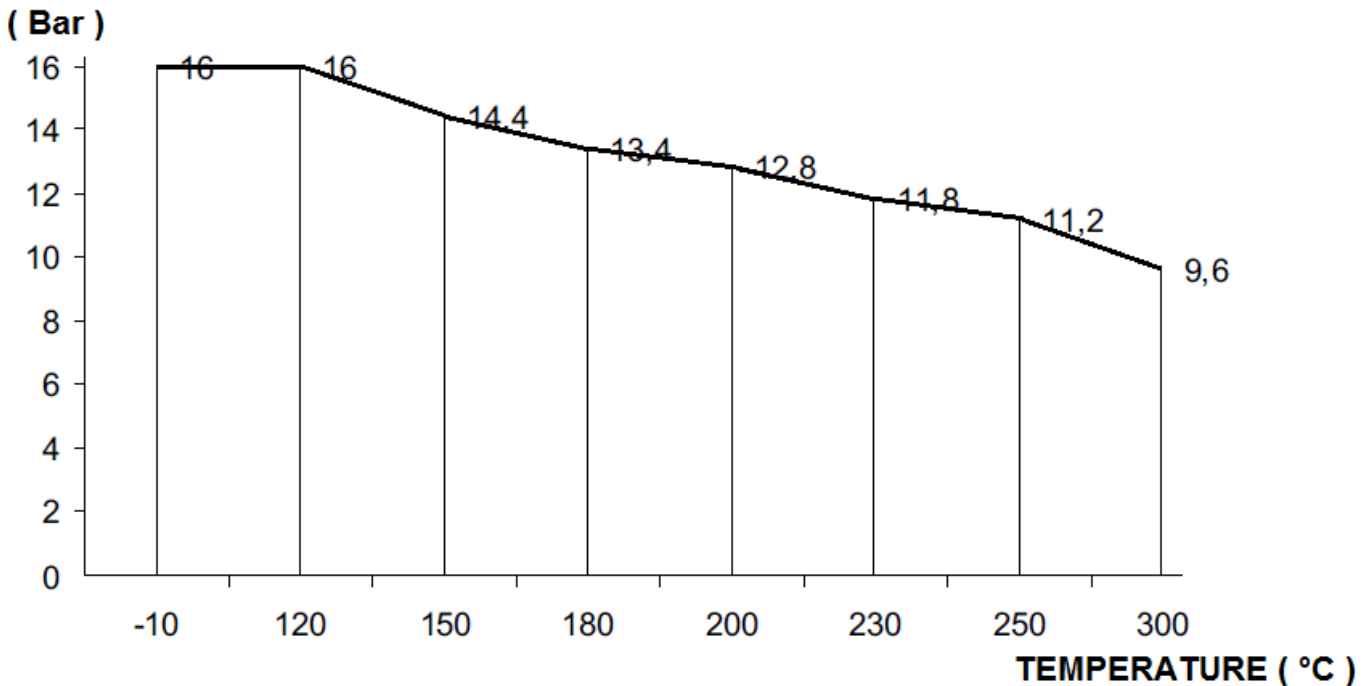
SPECIFICATIONS :

- Stainless steel removable filter
- Flanges R.F. PN10/16 up to DN150 , PN16 for DN200
- Horizontal or vertical position with descendant fluid (respect the flow direction indicated by the arrow)
- Mesh 1mm up to DN 50 , 1.25 mm from DN 65 to 80 and 1.6 mm over
- Bolted bonnet with draining cap threaded BSP
- Blue RAL 5002 painting, 100 µm thickness

USE :

- High temperature, hot water, steam, compressed air, water treatment and irrigation
- Min Temperature Ts : - 10°C
- Max Temperature Ts :+ 300°C
- Max Pressure Ps : 16 bars (see graph)
- **Steam : 10 bars max.**

PRESSURE / TEMPERATURE GRAPH (STEAM EXCLUDED) :

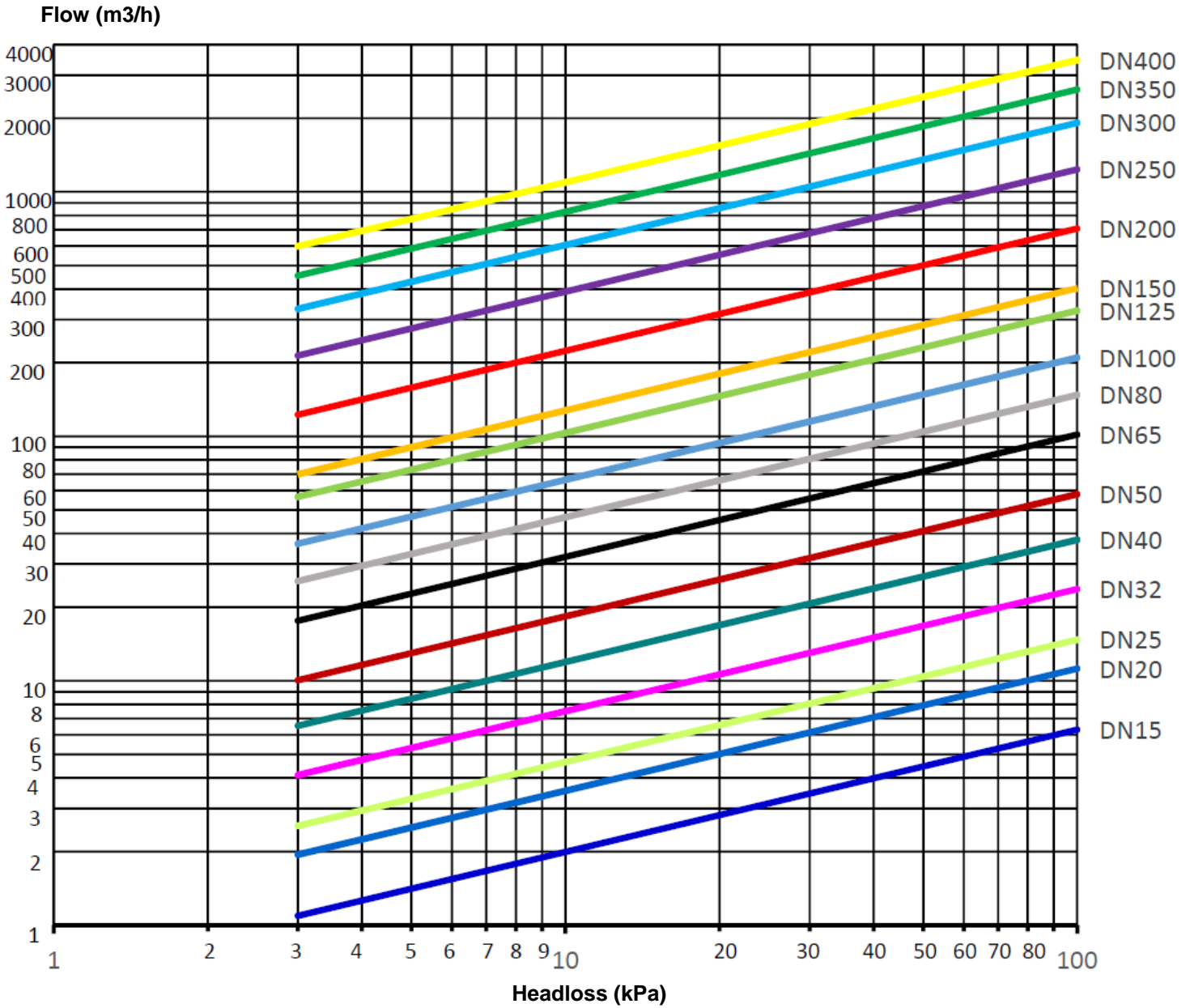


FLOW COEFFICIENT Kvs (M3 / h) :

| DN | 15 | 20 | 25 | 32 | 40 | 50 | 65 | 80 | 100 | 125 | 150 | 200 |
|--------------|-----|------|------|------|------|------|-------|-------|-------|-------|-----|-----|
| Kvs (m3/h) | 6.3 | 11.2 | 14.7 | 23.7 | 37.7 | 57.9 | 101.5 | 147.4 | 209.6 | 326.2 | 403 | 707 |

CAST IRON Y STRAINER HIGH TEMPERATURE PN16 FLANGES DIN 3202-1 F1

HEAD LOSS GRAPH :



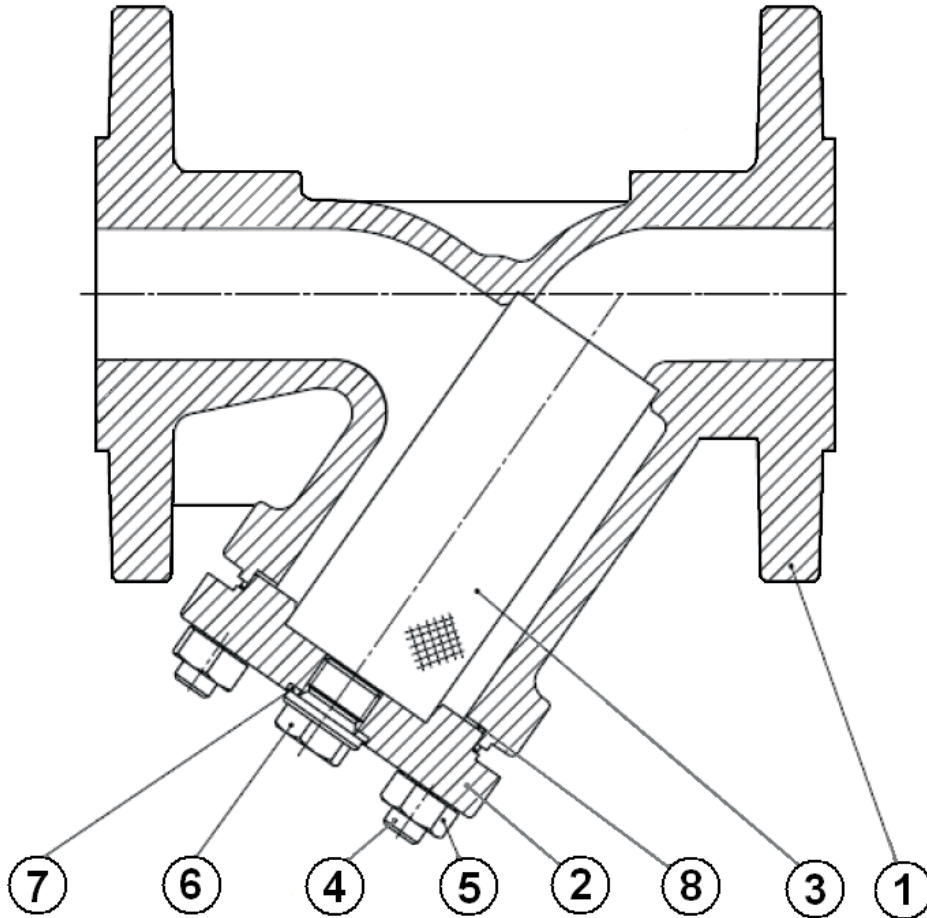
100 kPa = 1 bar

CAST IRON Y STRAINER HIGH TEMPERATURE PN16 FLANGES DIN 3202-1 F1

RANGE :

- Cast iron strainer flanged R. F. PN10/16 from DN 15 to DN 150 and PN16 for DN200 **Ref.236**

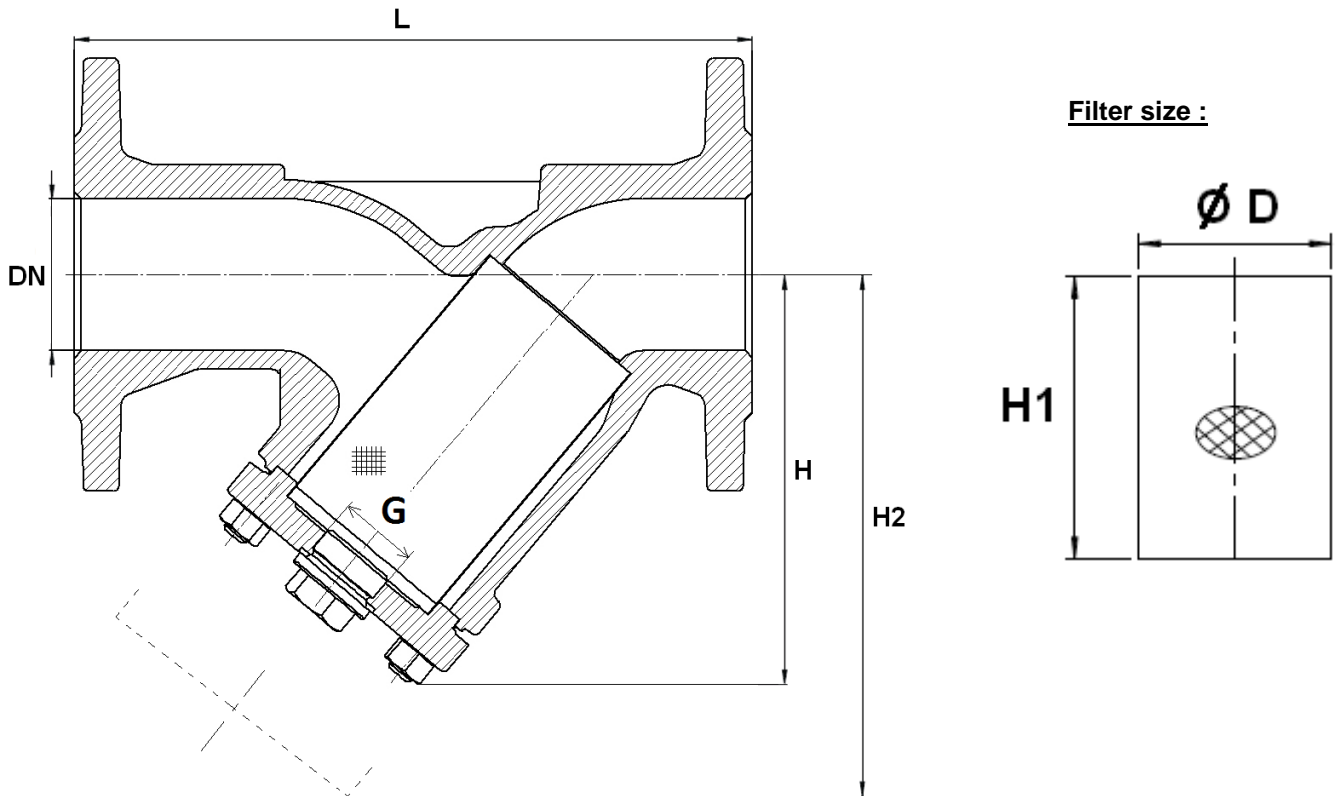
MATERIALS :



| Item | Designation | Materials |
|------|-----------------|----------------------|
| 1 | Body | Cast iron EN GJL-250 |
| 2 | Bonnet | Cast iron EN GJL-250 |
| 3 | Filter | ASTM A182 F 304 |
| 4 | Studs | Steel 8.8-A2A |
| 5 | Nut | Steel 8-A2A |
| 6 | Draining cap | Steel C35E |
| 7 | Draining gasket | Steel A4 1.4571 |
| 8 | Bonnet gasket | Graphite |

CAST IRON Y STRAINER HIGH TEMPERATURE PN16 FLANGES DIN 3202-1 F1

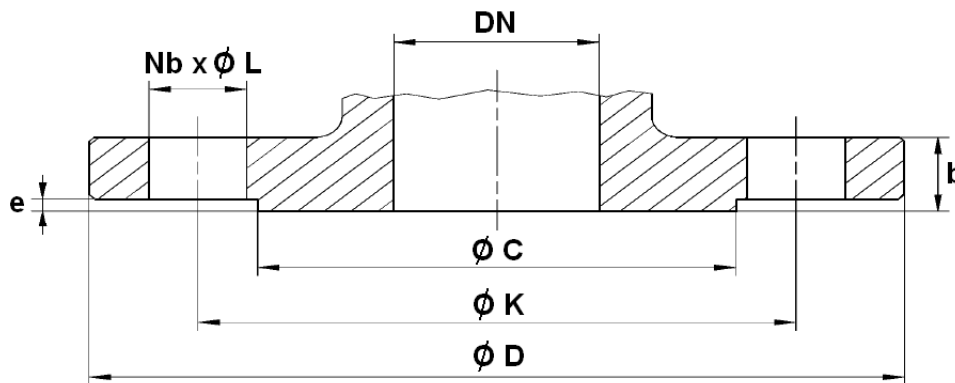
SIZE (in mm) :



| DN | 15 | 20 | 25 | 32 | 40 | 50 | 65 | 80 | 100 | 125 | 150 | 200 |
|-------------|--------|--------|--------|--------|--------|--------|--------|--------|--------|--------|--------|--------|
| L | 130 | 150 | 160 | 180 | 200 | 230 | 290 | 310 | 350 | 400 | 480 | 600 |
| H | 90 | 100 | 115 | 135 | 150 | 155 | 175 | 205 | 275 | 325 | 397 | 535 |
| H2 | 135 | 150 | 180 | 215 | 240 | 250 | 285 | 330 | 365 | 425 | 480 | 610 |
| G (drain) | 3/8" | 3/8" | 3/4" | 3/4" | 1" | 1" | 1" | 1" | 1"1/2 | 1"1/2 | 1"1/2 | 1"1/2 |
| Ø D | 23 | 28 | 36 | 42 | 50 | 61.5 | 78.5 | 89.5 | 109.5 | 137.5 | 160 | 210 |
| H1 | 56 | 68 | 82 | 98 | 114 | 119 | 134 | 149 | 169 | 199 | 224 | 284 |
| Mesh | 1 | 1 | 1 | 1 | 1 | 1 | 1.25 | 1.25 | 1.6 | 1.6 | 1.6 | 1.6 |
| Weight (Kg) | 2.6 | 3 | 4.3 | 6.8 | 8.8 | 11 | 14.6 | 18.6 | 27 | 38.5 | 54.5 | 110 |
| Ref. | 236015 | 236020 | 236025 | 236032 | 236040 | 236050 | 236065 | 236080 | 236100 | 236125 | 236150 | 236200 |

CAST IRON Y STRAINER HIGH TEMPERATURE PN16 FLANGES DIN 3202-1 F1

FLANGES SIZE (in mm) :



| DN | 15 | 20 | 25 | 32 | 40 | 50 | 65 | 80 | 100 | 125 | 150 | 200 |
|----------|--------|--------|--------|--------|--------|--------|--------|--------|--------|--------|--------|---------|
| Ø C | 46 | 56 | 65 | 76 | 84 | 99 | 118 | 132 | 156 | 184 | 211 | 266 |
| Ø D | 95 | 105 | 115 | 140 | 150 | 165 | 185 | 200 | 220 | 250 | 285 | 340 |
| Ø K | 65 | 75 | 85 | 100 | 110 | 125 | 145 | 160 | 180 | 210 | 240 | 295 |
| Nb x Ø L | 4 x 14 | 4 x 14 | 4 x 14 | 4 x 19 | 4 x 19 | 4 x 19 | 4 x 19 | 8 x 19 | 8 x 19 | 8 x 19 | 8 x 23 | 12 x 23 |
| b | 16 | 18 | 18 | 18 | 18 | 20 | 18 | 20 | 20 | 22 | 22 | 24 |
| e | 2 | 2 | 2 | 2 | 2 | 2 | 2 | 2 | 2 | 2 | 2 | 2 |

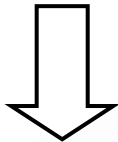
CAST IRON Y STRAINER HIGH TEMPERATURE PN16 FLANGES DIN 3202-1 F1

STANDARDS :

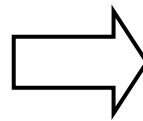
- Manufacturer certified ISO 9001 : 2015 and ISO 14001 :2015
- DIRECTIVE 2014/68/EU : CE N° 0062
Risk category III Module H
- Certificate 3.1 on request
- Test according to EN 12266-1
- Length according to EN 558 Series 1 (DIN 3202 F1 – NF 29354)
- Flanges R.F. according to EN 1092-2 PN16
- Approval certificate Polish **PZH**
- Russian certification TRCU (marking and declaration EAC on request)

INSTALLATION POSITIONS :

Vertical position (descendand fluid)



Horizontal position



ADVICE : Our opinion and our advice are not guaranteed and SFERACO shall not be liable for the consequences of damages.
The customer must check the right choice of the products with the real service conditions.