

STAINLESS STEEL Y STRAINER THREADED FEMALE BSP

PRODUCT EVOLUTION



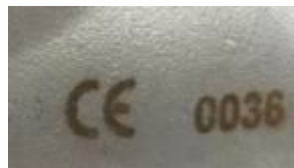
Be careful, our y strainers Ref.230 are changing

**We currently have 2 different types available (according to DN)
with different dimensions and non-commutable gaskets**

Example of old marking :



Example of new marking :



At the end, only the new type will be available (from page 2 to 6)

STAINLESS STEEL Y STRAINER THREADED FEMALE BSP

Stainless steel Y strainer threaded female BSP for filtration of fluids in chemical and pharmaceutical industries, petrochemical industries, hydraulic installation, compressed air.

Strainer with removable filter and bolted bonnet

Threaded BSP draining cap allowing to install a draining valve.

2 PTFE gaskets for the bonnet and the cap.

Strainer in accordance with the regulation (EC) N° 1935/2004 on request.



PED 2014/68/EU

NEW



Size : DN1/4" to DN2"

Connection : Female BSP

Min Temperature : -50°C

Max Temperature : +200°C

Max Pressure : 16 Bars

Specifications : Removable stainless steel filter

Bolted bonnet with draining cap

PTFE gaskets

Materials : Stainless steel EN 1.4408

STAINLESS STEEL Y STRAINER THREADED FEMALE BSP

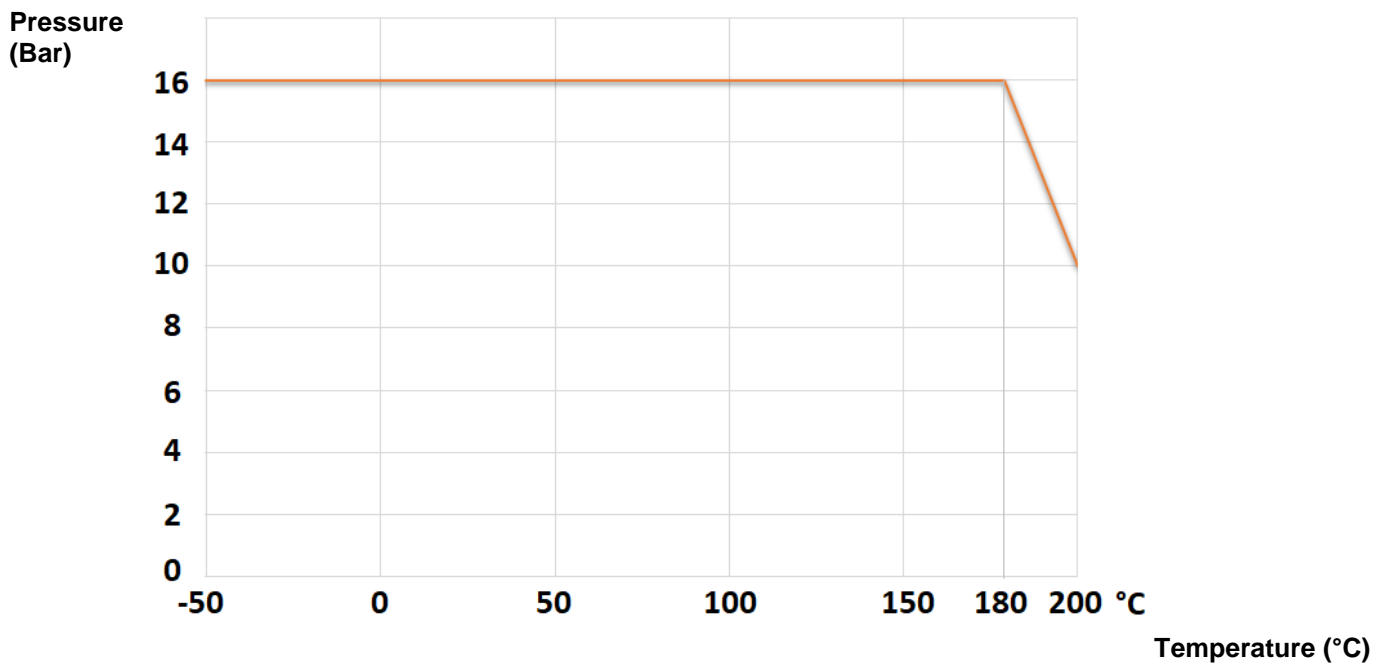
SPECIFICATIONS :

- With draining cap
- Removable stainless steel filter
- Respect the flow direction indicated by the arrow
- Horizontal or vertical position with descendant fluid
- Mesh 10/10° mm (1000 μ)

USE :

- For Chemical and pharmaceutical industries, petrochemical industries, hydraulic installation, compressed air
- Steam : 10 bars max
- Min and max Temperature Ts : - 50°C to + 200°C
- Max Pressure Ps : 16 bars

PRESSURE / TEMPERATURE GRAPH (STEAM EXCLUDED) :



FLOW COEFFICIENT Kvs (M3 / h) :

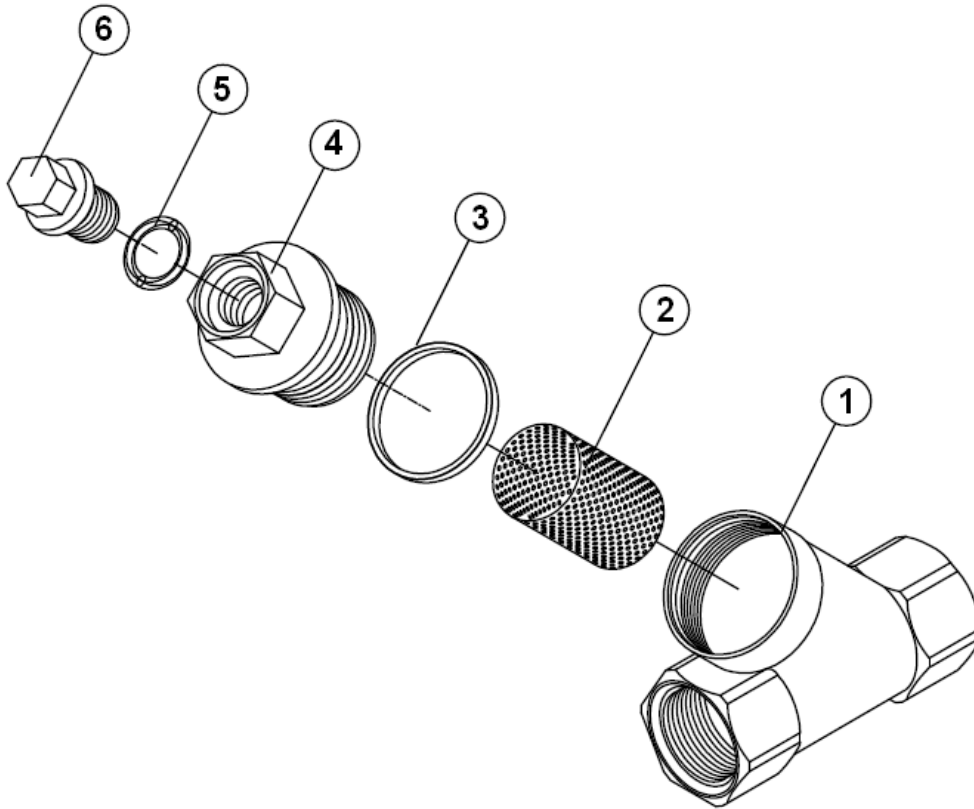
DN	1/4"	3/8"	1/2"	3/4"	1"	1"1/4"	1"1/2"	2"
Kvs (m3/h)	3.5	4.5	5.7	7.9	16	23	36	50

RANGE :

- Stainless steel Y strainer threaded female BSP cylindrical ends **Ref. 230** from DN1/4" to DN2"

STAINLESS STEEL Y STRAINER THREADED FEMALE BSP

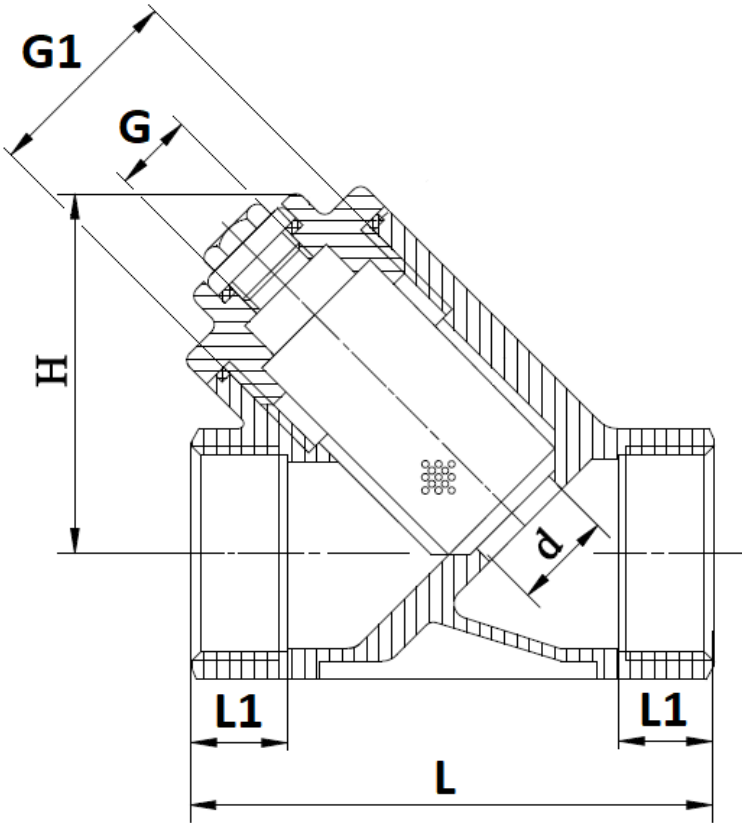
MATERIALS :



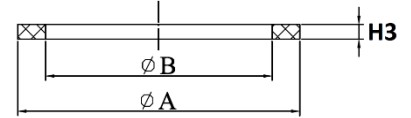
Item	Designation	Materials
1	Body	EN 1.4408
2	Filter	AISI 316
3	Body gasket	PTFE
4	Bonnet	EN 1.4408
5	Cap gasket	PTFE
6	Cap	AISI 316

STAINLESS STEEL Y STRAINER THREADED FEMALE BSP

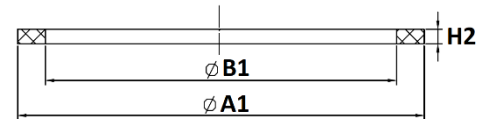
SIZE (in mm) :



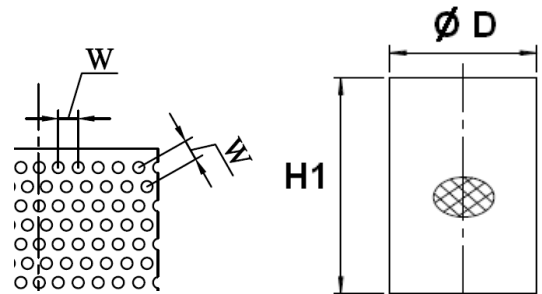
Drain gasket size :



Bonnet gasket size :



Screen size :



DN	1/4"	3/8"	1/2"	3/4"	1"	1"1/4"	1"1/2"	2"
L	64			80	89	106.5	118	139
L1	15			16	18	22		25
Ø d	9.5	12	15	20	25	32	38	49
G	1/4"				3/8"	1/2"		
G1	M24x1.5			M30x1.5	M40x1.5	M42x1.5	M50x1.5	M60x1.5
H	43		45	52	68	70	80	98
Mesh	1							
W	2							
Ø D	19			23.5	33	36	44	54
H1	29			40.5	49	54	64	76
Ø A	17.6				24.2	26.2		
Ø B	13.6				17	21.2		
H3	1.2				1.3	1.4		
Ø A1	27.5			32.5	42.8	45.7	53.7	65
Ø B1	24.5			30.2	40.3	42.5	50.5	60.5
H2	1.4					1.7		
Weight (Kg)	0.22	0.22	0.23	0.35	0.62	0.84	1.08	1.65
Ref.	230002	230003	230004	230005	230006	230007	230008	230009

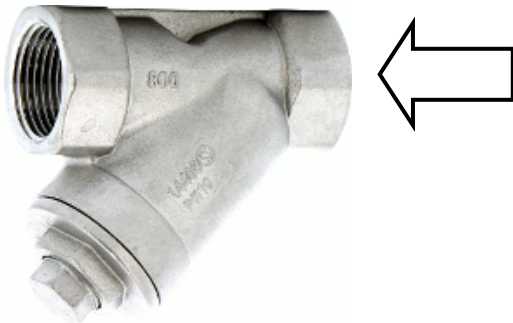
STAINLESS STEEL Y STRAINER THREADED FEMALE BSP

STANDARDS :

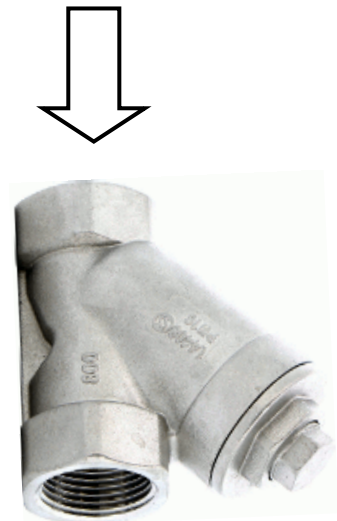
- Manufacturer certified ISO 9001 : 2015
- DIRECTIVE 2014/68/EU : CE N° 0036
Risk Category II Module A2
- Certificate 3.1 on request
- Threaded BSP cylindrical female ends according to ISO 228/1
- Strainer in accordance with the regulation **(EC) N° 1935-2004 on request**

INSTALLATION POSITIONS :

Horizontal position



Vertical position (descendand fluid)



ADVICE : Our opinion and our advice are not guaranteed and SFERACO shall not be liable for the consequences of damages. The customer must check the right choice of the products with the real service conditions.

STAINLESS STEEL Y STRAINER THREADED FEMALE BSP

Stainless steel Y strainer threaded female BSP for filtration of fluids in chemical and pharmaceutical industries, petrochemical industries, hydraulic installation, compressed air.

Strainer with removable filter and bolted bonnet

Threaded BSP draining cap allowing to install a draining valve.

2 PTFE gaskets for the bonnet and the cap.

Strainer in accordance with the regulation (EC) N° 1935/2004 on request.



Size : DN1/4" to DN2"
Connection : Female BSP
Min Temperature : -50°C
Max Temperature : +200°C
Max Pressure : 16 Bars
Specifications : Removable stainless steel filter
Bolted bonnet with draining cap
PTFE gaskets

Materials : Stainless steel EN 1.4408

STAINLESS STEEL Y STRAINER THREADED FEMALE BSP

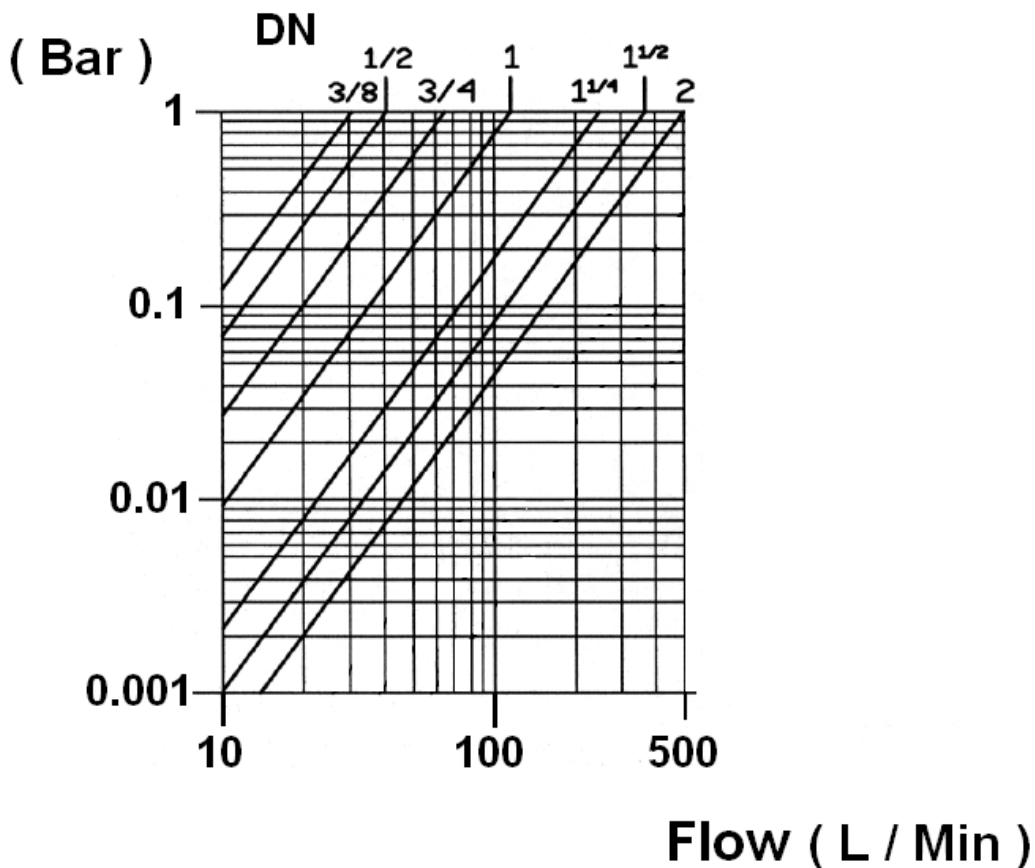
SPECIFICATIONS :

- With draining cap
- Removable stainless steel filter
- Respect the flow direction indicated by the arrow
- Horizontal or vertical position with descendant fluid
- Mesh 10/10° mm (1000 μ)

USE :

- For Chemical and pharmaceutical industries, petrochemical industries, hydraulic installation, compressed air
- Steam : 6 bars max
- Min and max Temperature Ts : - 50°C to + 200°C
- Max Pressure Ps : 16 bars

HEAD LOSS GRAPH :



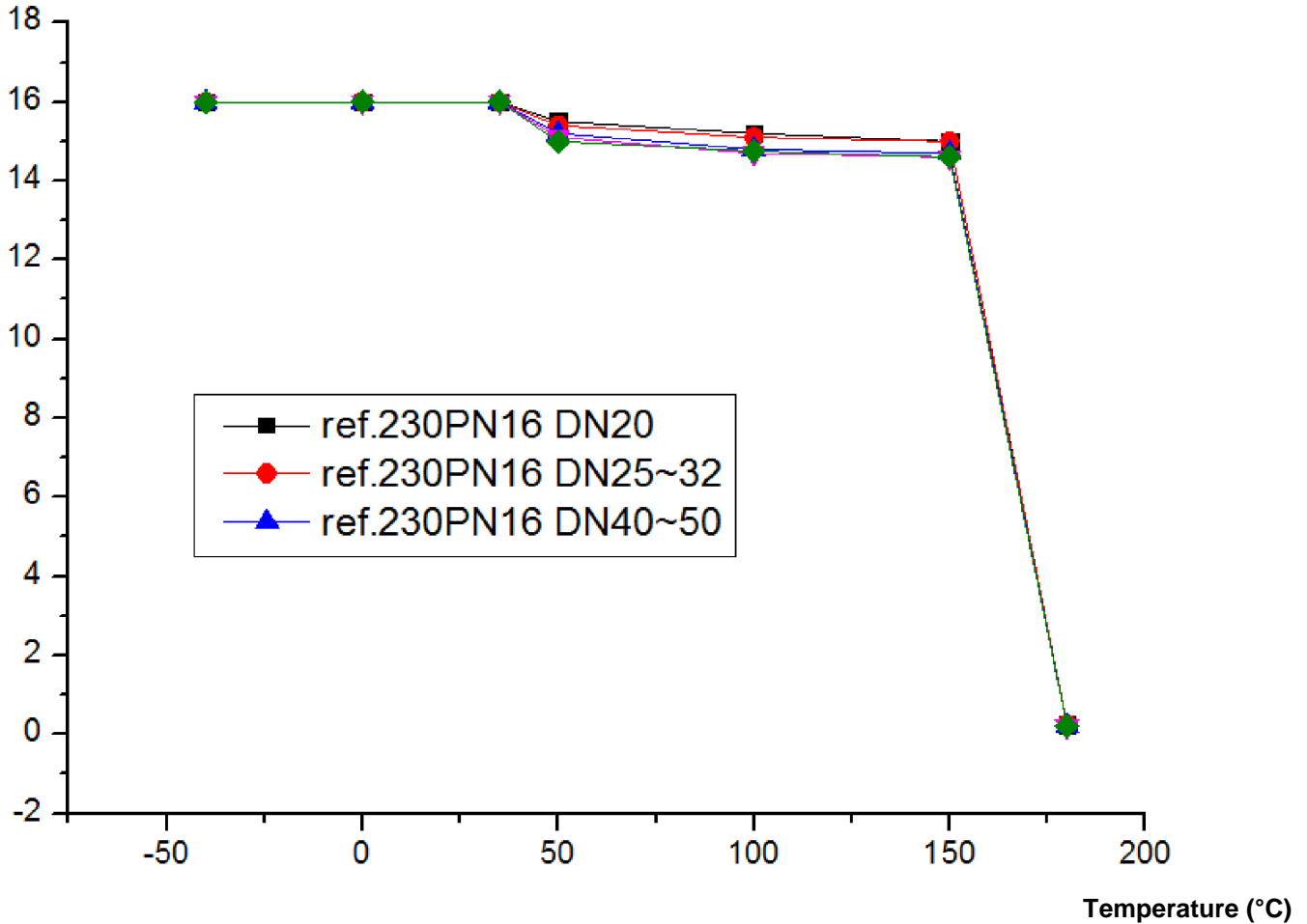
RANGE :

- Stainless steel threaded female BSP cylindrical ends **Ref. 230** from DN 1/4" to DN 2"

STAINLESS STEEL Y STRAINER THREADED FEMALE BSP

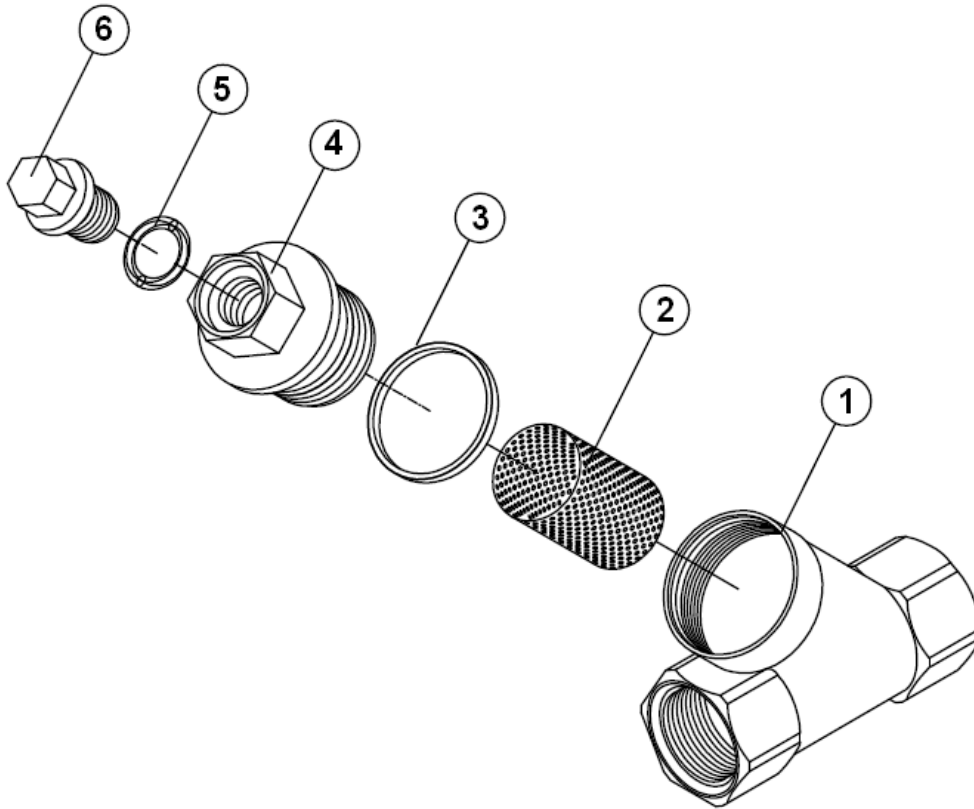
PRESSURE / TEMPERATURE GRAPH (STEAM EXCLUDED):

Pressure (Bar)



STAINLESS STEEL Y STRAINER THREADED FEMALE BSP

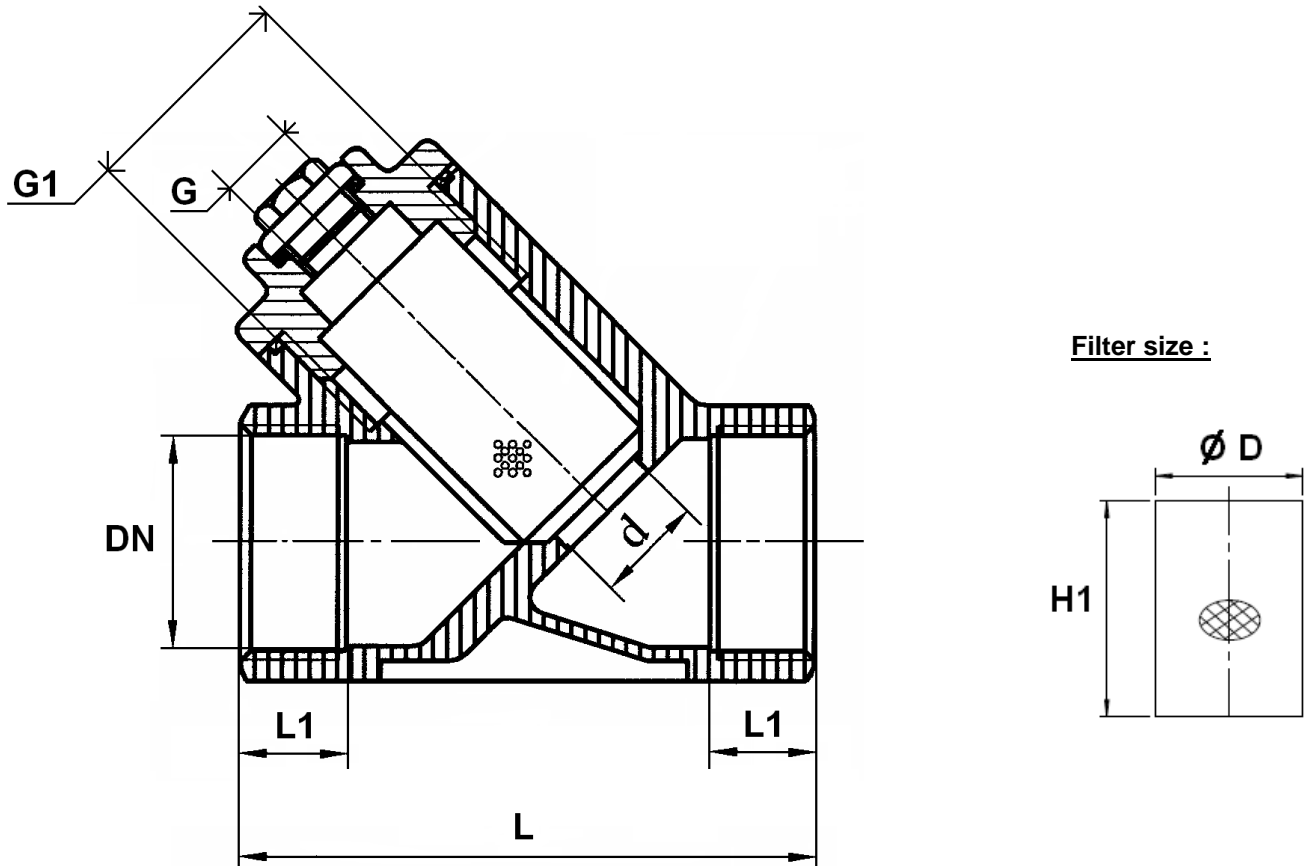
MATERIALS :



Item	Designation	Materials
1	Body	EN 1.4408
2	Filter	AISI 304
3	Body gasket	PTFE
4	Bonnet	EN 1.4408
5	Cap gasket	PTFE
6	Cap	EN 1.4408

STAINLESS STEEL Y STRAINER THREADED FEMALE BSP

SIZE (in mm) :



DN	1/4"	3/8"	1/2"	3/4"	1"	1"1/4	1"1/2	2"
L	64	64	64	80	89	106.5	118	139
L1	12	12	13	14.5	16.5	19	19	23
Ø d	10.5	12.5	15	20	25	32	38	50
G	1/4"				3/8"	1/2"		3/4"
G1	23,8 x 1.5	23,8 x 1.5	23,8 x 1.5	29,5 x 1.5	39,8 x 1.5	41,8 x 1.5	49,8 x 1.5	59,8 x 1.5
H1	28.5	28.5	28.5	40	49	54	63.5	76
Ø D	19	19	19	23	32	36	44	54
Weight (Kg)	0.23	0.21	0.21	0.35	0.61	0.89	1.11	1.63
Ref.	230002	230003	230004	230005	230006	230007	230008	230009

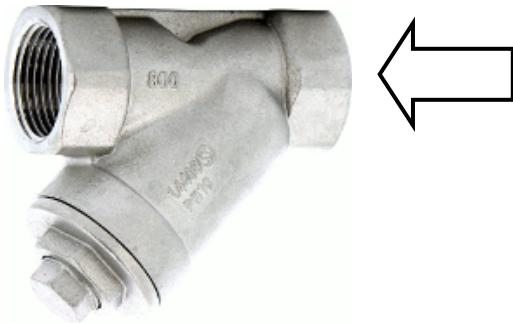
STAINLESS STEEL Y STRAINER THREADED FEMALE BSP

STANDARDS :

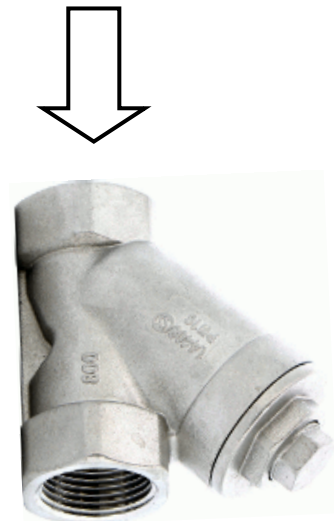
- Manufacturer certified ISO 9001 : 2015
- DIRECTIVE 2014/68/EU : CE N° 0035
Risk Category III Module H
- Certificate 3.1 on request
- Threaded BSP cylindrical female ends according to ISO 228/1
- Strainer in accordance with the regulation **(EC) N° 1935-2004 on request**

INSTALLATION POSITIONS :

Horizontal position



Vertical position (descendand fluid)



ADVICE : Our opinion and our advice are not guaranteed and SFERACO shall not be liable for the consequences of damages. The customer must check the right choice of the products with the real service conditions.