

2 PIECES SPLIT BODY CARBON STEEL BALL VALVES FLANGED PN16/40 DIN 3202-1 F4/F5

2 pieces carbon steel Split body ball valve with full bore for Chemical industries, petrochemical industries, hydraulic installation, heating, water distribution, compressed air.

Ball valve with firesafe certificate API 607 to reduce risks in case of fire.

PTFE filled with 15% glass seat for a temperature up to +200°C.

Compatible with explosive atmosphere, ATEX Zone 1&21 and Zone 2&22 thanks to the double antistatic device.

Handling possible with gearbox.

Thanks to the ISO 5211 plate, an actuator can be installed on the valve.



Size : DN15 to DN300
Connection : Flanged PN16/40 RF
Min Temperature : -20°C
Max Temperature : +200°C
Max Pressure : 40 bars up to DN50, 16 bars over
Specifications : Double Antistatic device, ATEX
 ISO 5211 mounting pad
 Anti blow-out stem, full bore
 PTFE filled with 15% glass seat
 Fire Safe API 607

Materials : Carbon Steel EN 1.0619



2 PIECES SPLIT BODY CARBON STEEL BALL VALVES FLANGED PN16/40 DIN 3202-1 F4/F5

SPECIFICATIONS :

- Full bore
- Anti blow-out stem
- Double antistatic device
- PTFE filled with 15% glass seat
- Locking device
- ISO 5211 mounting pad
- 2 pieces type (Split body)
- Hollowed ball from DN125 to DN300
- With exhaust hole in the ball (located in the top of the ball to avoid overpressure in it)
- Primer coating

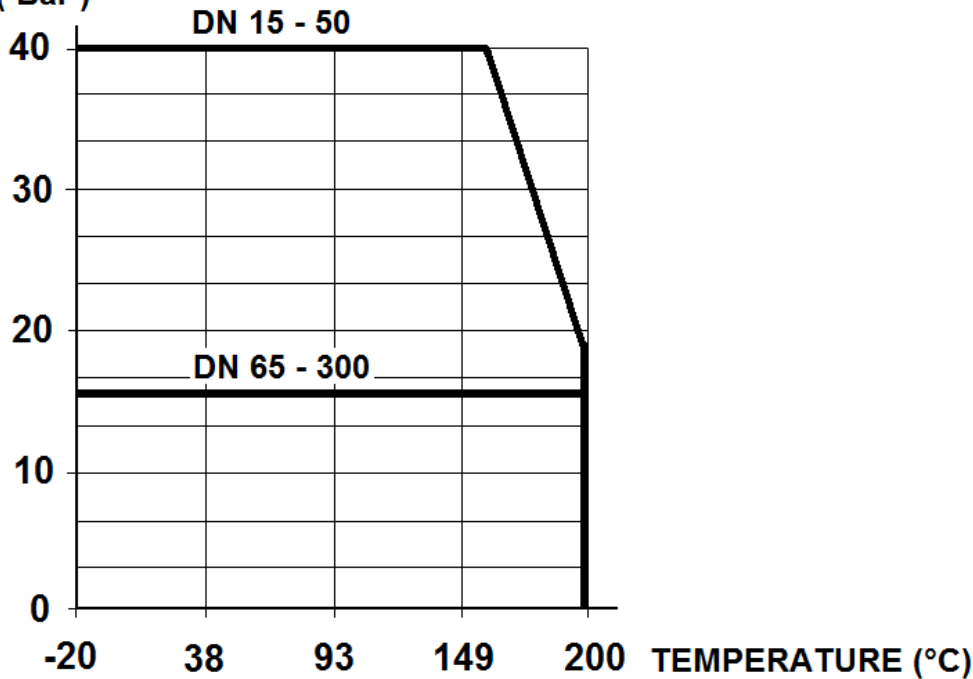
USE :

- Chemical industries, petrochemical industries, hydraulic installation, compressed air, heating and water distribution
- Steam : 11 bars maximum
- Min and max Temperatures Ts : -20°C to + 200°C
- Max Pressure Ps : 40 bars up to DN50, 16 bars over (see graph under)

PRESSURE / TEMPERATURE GRAPH (STEAM EXCLUDED) :

PRESSURE

(Bar)



FLOW COEFFICIENT Kvs (M3 / h) :

DN	15	20	25	32	40	50	65	80	100	125	150	200	250	300
Kvs (m3/h)	31	58	86	139	229	415	698	983	1686	2824	3953	7225	7731	17994



2 PIECES SPLIT BODY CARBON STEEL BALL VALVES FLANGED PN16/40 DIN 3202-1 F4/F5

TORQUE VALUES (in Nm without safety coefficient) :

DN	15	20	25	32	40	50	65	80	100	125	150	200	250	300
Torque (Nm)	8	10	12	20	30	40	60	90	130	160	250	500	750	1300

RANGE :

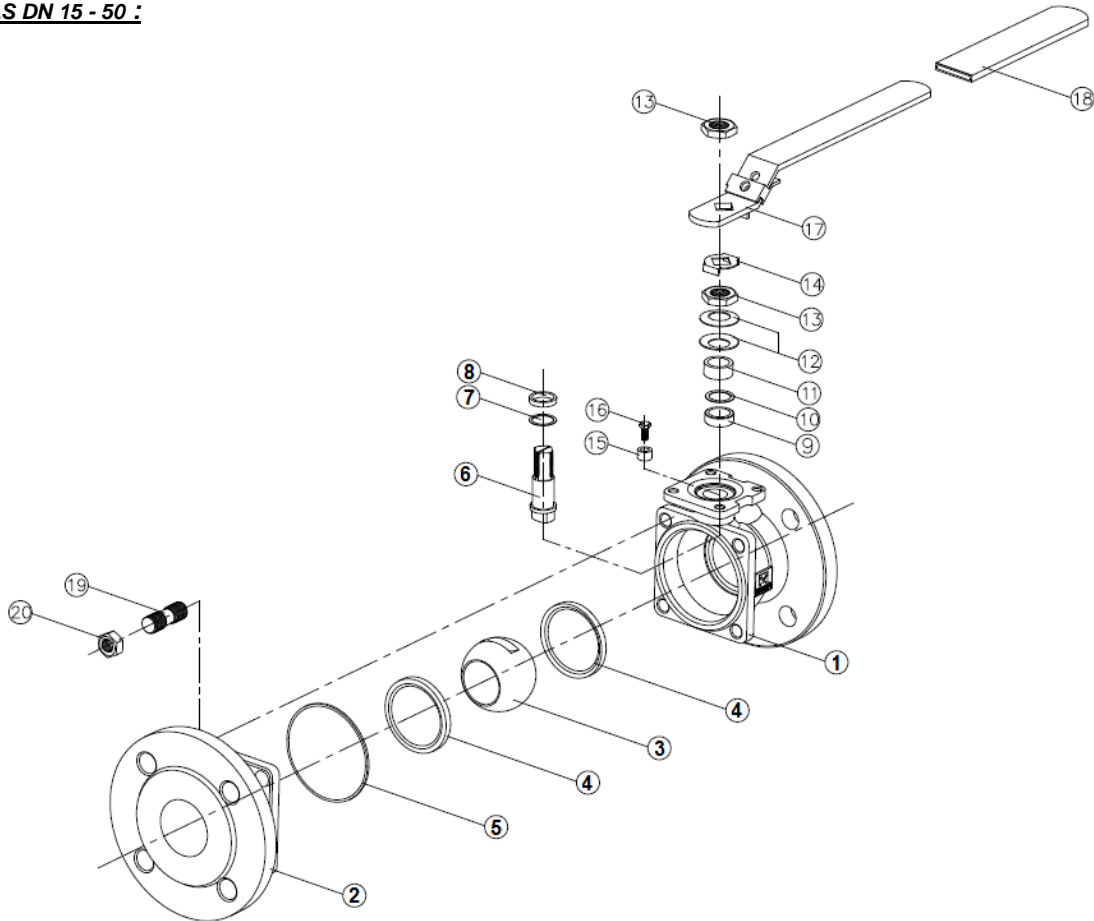
- Carbon steel body ball valve flanged PN16 **Ref. 762** from DN 15 to DN 200 (with gearbox from DN250 to 300)
- Gearbox possible **Ref. 9830296-9830297** from DN 150 to DN 200

ENDS :

- R.F. Flanged PN40 up to DN50, PN16 over

2 PIECES SPLIT BODY CARBON STEEL BALL VALVES FLANGED PN16/40 DIN 3202-1 F4/F5

MATERIALS DN 15 - 50 :

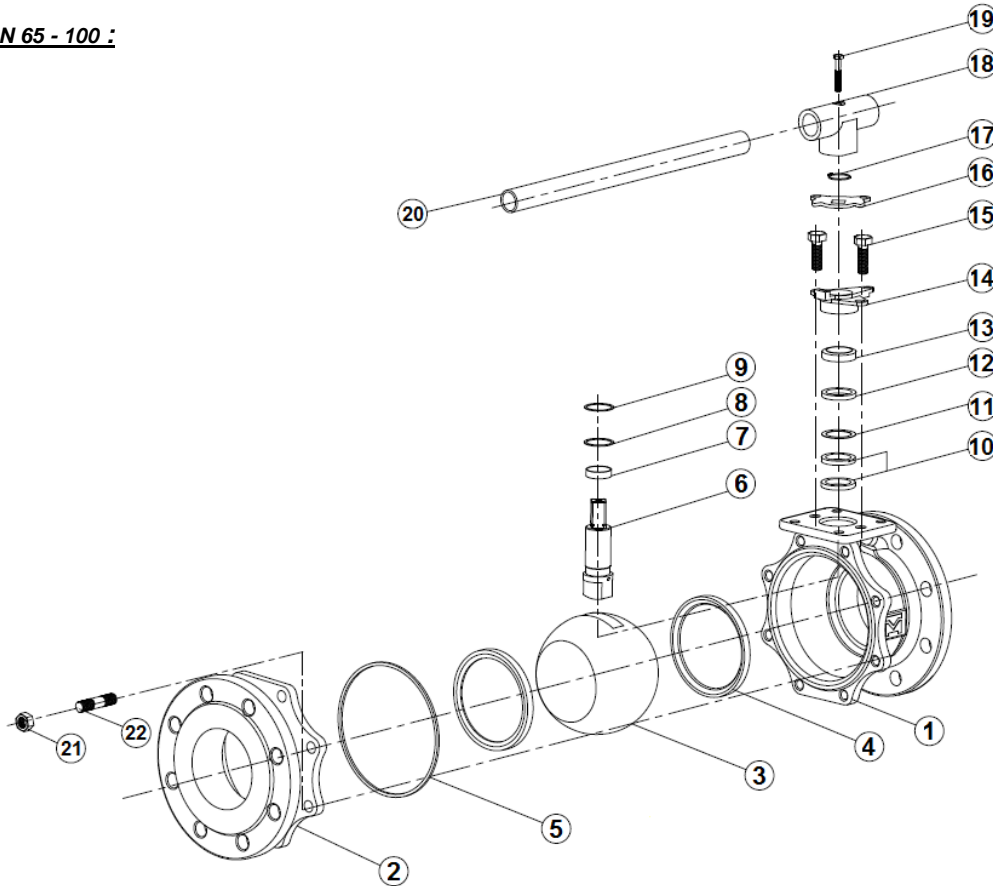


(* : included in gaskets kit)

Item	Designation	Materials
1	Body	EN 1.0619
2	Ends	
3	Ball	EN 1.4408
4*	Seat	PTFE filled with 15 % glass
5*	Body seal	Graphite
6	Stem	ASTM A276 316
7*	Ring	PTFE filled with 25% carbon
8*	Ring	
9*	Packing	Graphite
10*	Packing	PTFE filled with 25% carbon
11	Packing gland	AISI 304
12	Elastic ring	AISI 301
13	Nut	AISI 304
14	Washer	
15	Pin	
16	Pin screw	
17	Handle	
18	Handle cover	PVC
19	Stud	ASI 304
20	Nut	

2 PIECES SPLIT BODY CARBON STEEL BALL VALVES FLANGED PN16/40 DIN 3202-1 F4/F5

MATERIALS DN 65 - 100 :

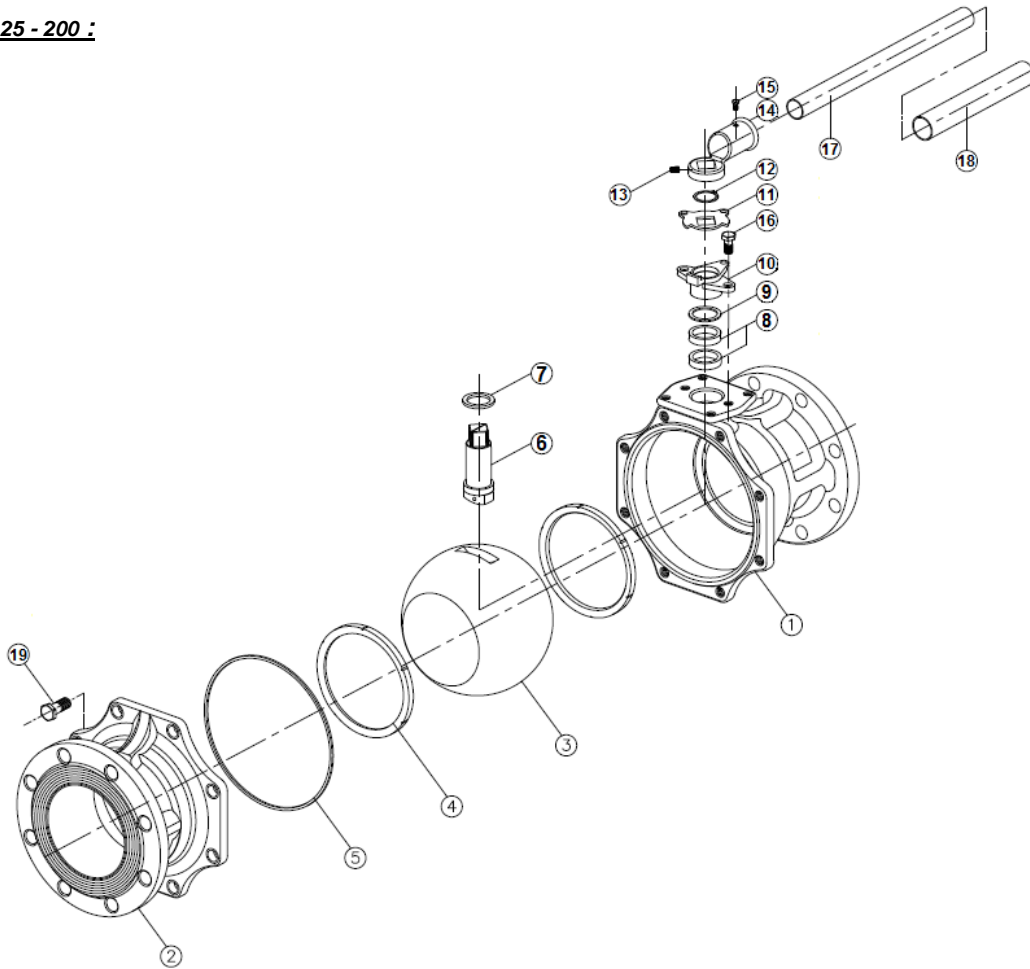


Item	Designation	Materials
1	Body	EN 1.0619
2	Ends	
3	Ball	EN 1.4408
4*	Seat	PTFE filled with 15 % glass
5*	Body seal	Graphite
6	Stem	ASTM A276 316
7*	Ring	PTFE filled with 25% carbon
8*	Ring	
9*	Ring	
10*	Packing	Graphite
11*	Packing	PTFE filled with 25% carbon
12	Ring	AISI 304
13	Ring	
14	Packing gland	EN 1.4308
15	Packing gland screw	AISI 304
16	Pin	
17	Circlips	
18	Handle adaptor	EN 1.4308
19	Screw	AISI 304
20	Handle	
21	Nut	
22	Stud	

(* : included in gaskets kit)

2 PIECES SPLIT BODY CARBON STEEL BALL VALVES FLANGED PN16/40 DIN 3202-1 F4/F5

MATERIALS DN 125 - 200 :

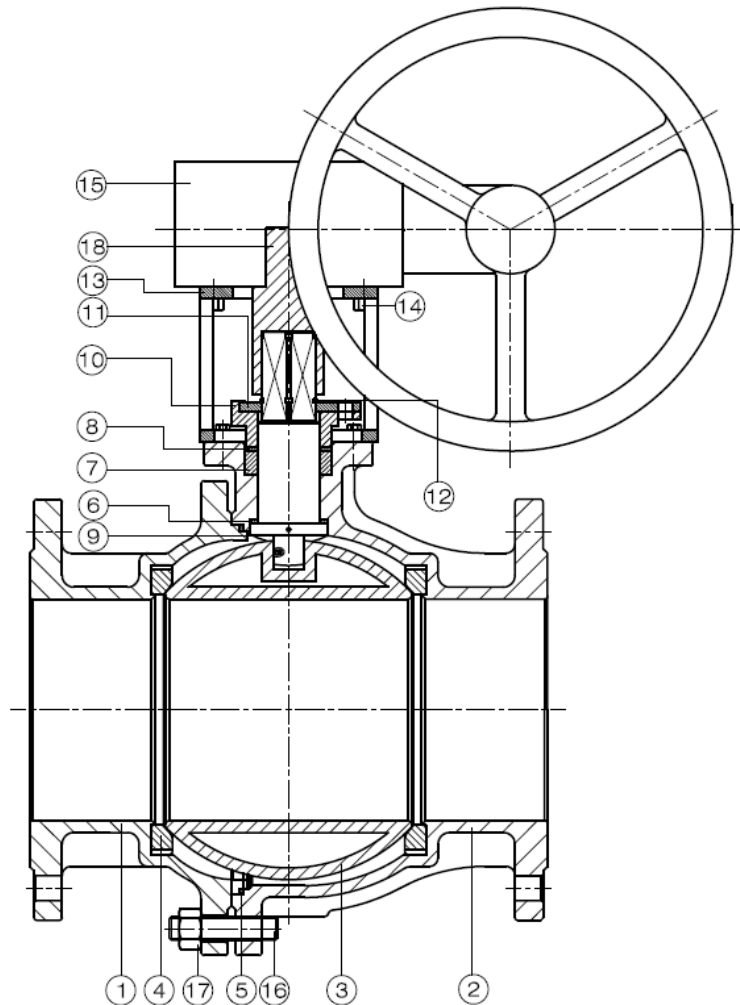


(* : included in gaskets kit)

Item	Designation	Materials
1	Body	EN 1.0619
2	Ends	
3	Ball	EN 1.4401
4*	Seat	PTFE filled with 15 % glass
5*	Body seal	Graphite
6	Stem	ASTM A276 316
7*	Ring	PTFE filled with 25% carbon
8*	Packing	Graphite
9*	Packing	PTFE filled with 25% carbon
10*	Packing gland	Inox EN 1.4308
11	Pin	AISI 304
12	Circlips	
13	Screw	
14	Handle adaptor	Inox EN 1.4308
15	Screw	AISI 304
16	Packing gland screw	
17	Handle	PVC
18	Handle cover	
19	Body screw	AISI 304

2 PIECES SPLIT BODY CARBON STEEL BALL VALVES FLANGED PN16/40 DIN 3202-1 F4/F5

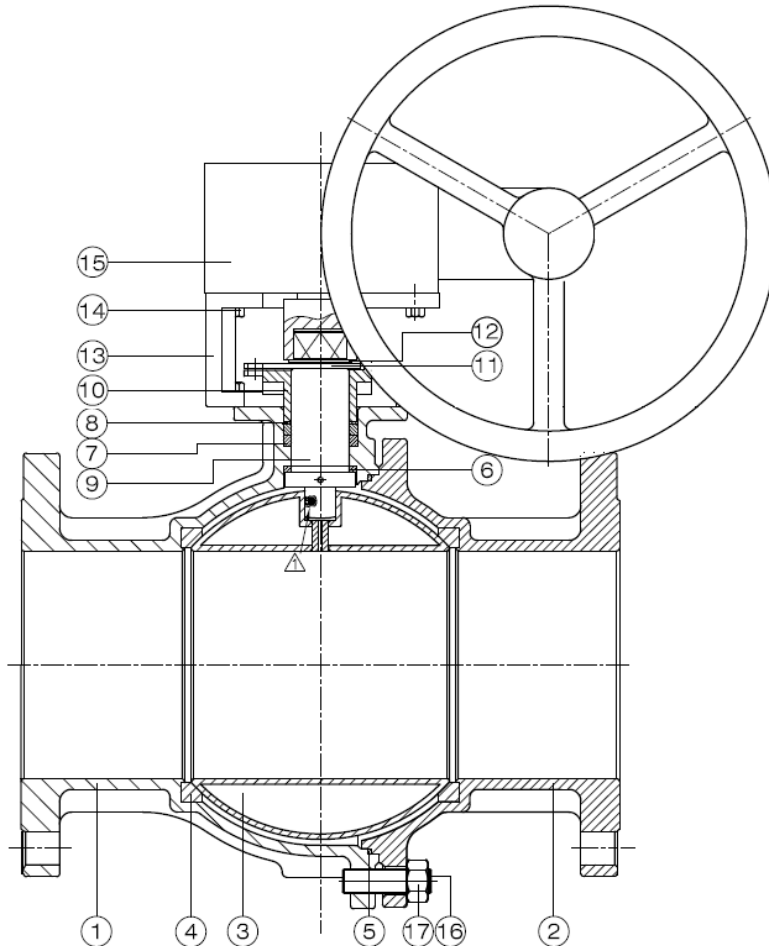
MATERIALS DN 250 :



Item	Designation	Materials
1	Body	EN 1.0619
2	Ends	
3	Ball	AISI 316
4*	Seat	PTFE filled with 15 % glass
5*	Body gasket	Graphite
6*	Ring	PTFE filled with 25% carbon
7*	Packing	Graphite
8*	Packing	PTFE filled with 25% carbon
9	Stem	ASTM A276-316
10	Gland	AISI 304
11	Gland bolt	
12	Circlips	
13	Yoke	
14	Screw	
15	Worm gear	ASTM A48-No.35
16	Stud	AISI 304
17	Nut	
18	Stem caput	AISI 1045

2 PIECES SPLIT BODY CARBON STEEL BALL VALVES FLANGED PN16/40 DIN 3202-1 F4/F5

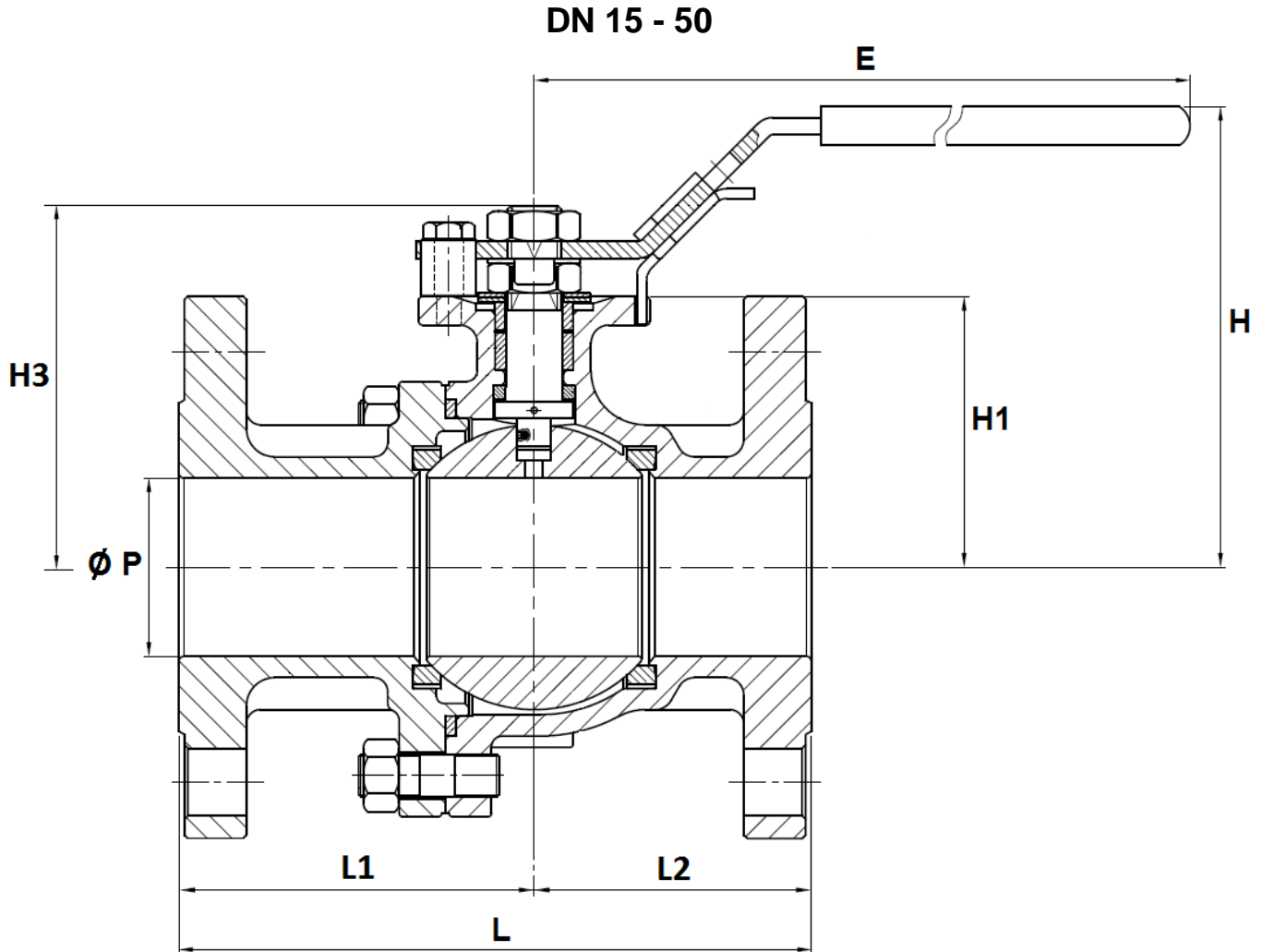
MATERIALS DN 300 :



Item	Designation	Materials
1	Body	EN 1.0619
2	Ends	
3	Ball	EN 1.4401
4*	Seat	PTFE filled with 15% glass
5	Body gasket	Graphite
6*	Thrust washer	PTFE filled with 25% carbon
7*	Packing	Graphite
8*	Packing	PTFE filled with 25% carbon
9*	Stem	ASTM A276-316
10	Gland	EN 1.4308
11	Stop washer	AISI 304
12	Circlip	
13	Yoke	
14	Screw	
15	Worm gear	Cast iron FC20
16	Stud	AISI 304
17	Nut	

2 PIECES SPLIT BODY CARBON STEEL BALL VALVES FLANGED PN16/40 DIN 3202-1 F4/F5

SIZE DN 15 - 50 (in mm) :

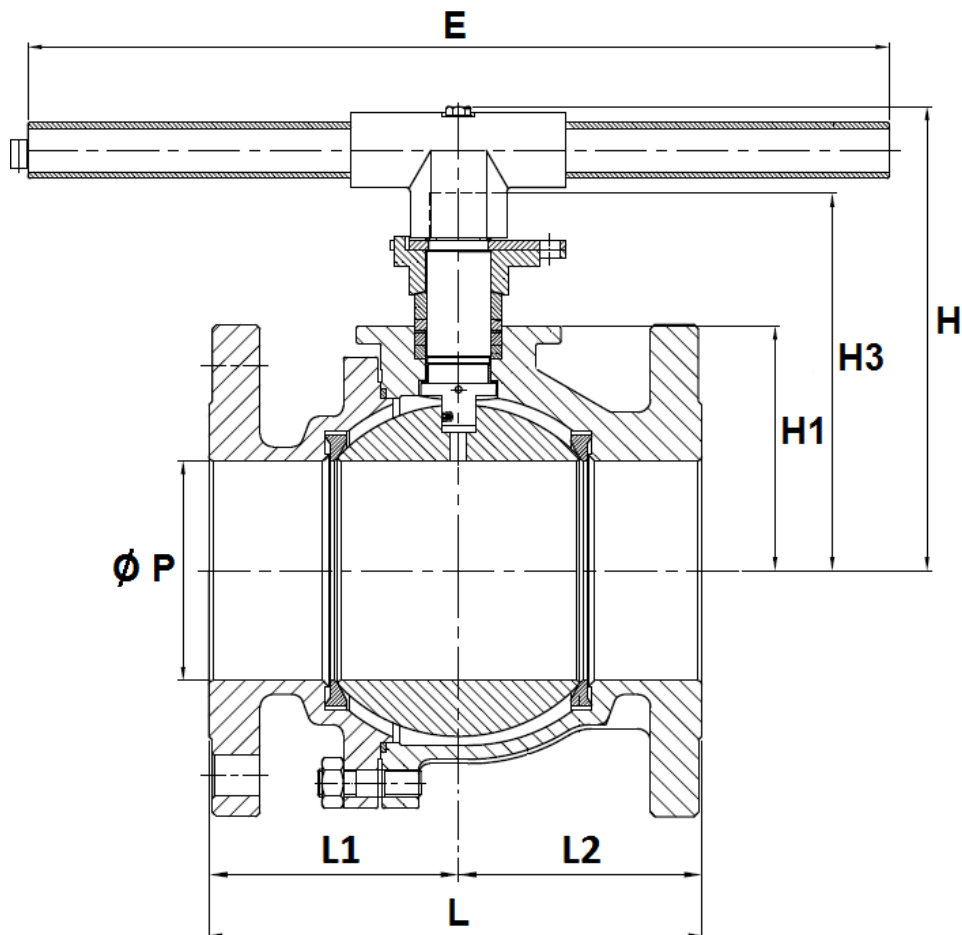


DN	15	20	25	32	40	50
Ø P	15	20	24	30	38	50
L	115	120	125	130	140	150
L1	64.5	66.5	70.5	73	80	84.5
L2	50.5	53.5	54.5	57	60	65.5
E	158	158	196	196	245	261
H	76.6	79.1	92	96	121.1	127.6
H1	39	42.5	52	56	66	73
H3	53.5	56.5	70	73	88	94.5
Weight (in Kg)	2.3	3	4	5.5	7	9.3
Ref.	762015	762020	762025	762032	762040	762050

2 PIECES SPLIT BODY CARBON STEEL BALL VALVES FLANGED PN16/40 DIN 3202-1 F4/F5

SIZE DN 65 - 100 (in mm) :

DN 65 - 100

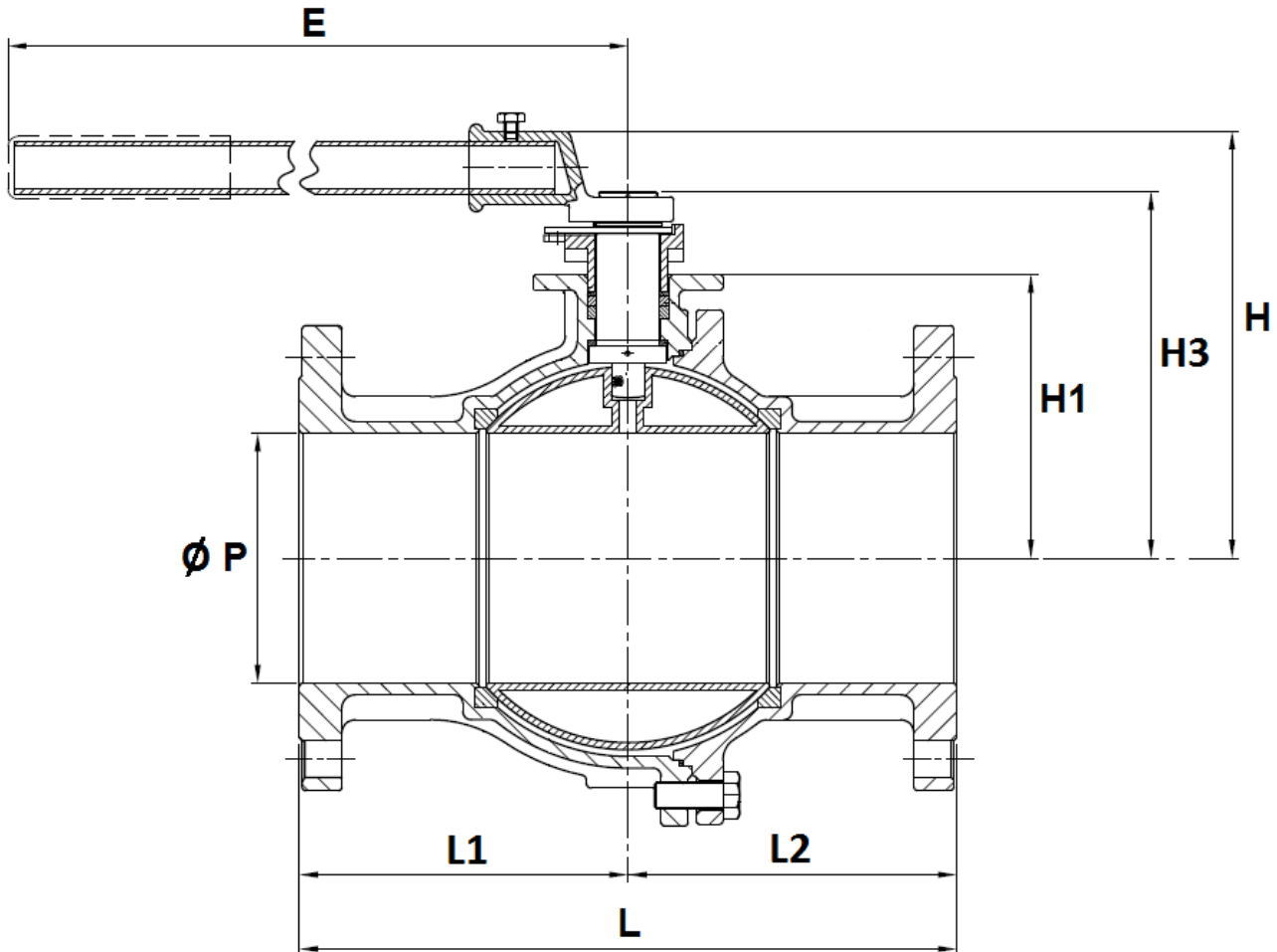


DN	65	80	100
Ø P	64	76	98
L	170	180	190
L1	92.5	102.5	104.8
L2	77.5	77.5	85.2
E	400	400	400
H	188	194	215
H1	86.5	91.5	113.5
H3	152	158	179
Weight (in Kg)	14.4	17.5	23.3
Ref.	762065	762080	762100

2 PIECES SPLIT BODY CARBON STEEL BALL VALVES FLANGED PN16/40 DIN 3202-1 F4/F5

SIZE DN 125 - 200 (in mm) :

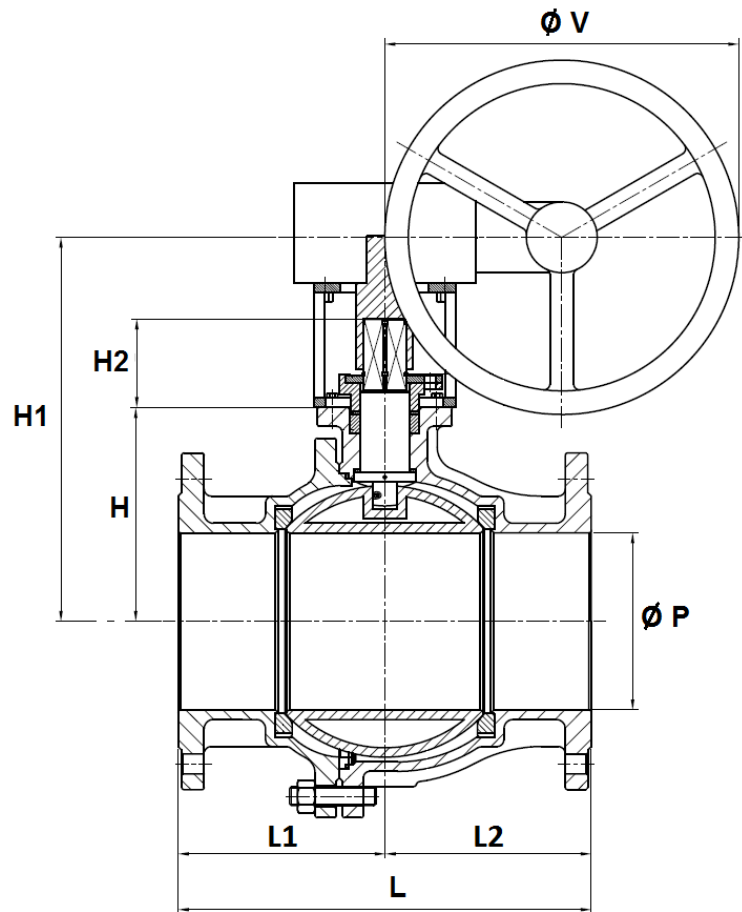
DN 125 - 200



DN	125	150	200
Ø P	125	150	200
L	325	350	400
L1	161.25	175	197
L2	163.75	175	203
E	743	743	925
H	239.6	256.5	323.5
H1	147	170	201
H3	199	220	286.5
Weight (in Kg)	36.7	52	78
Ref.	762125	762150	762200

2 PIECES SPLIT BODY CARBON STEEL BALL VALVES FLANGED PN16/40 DIN 3202-1 F4/F5

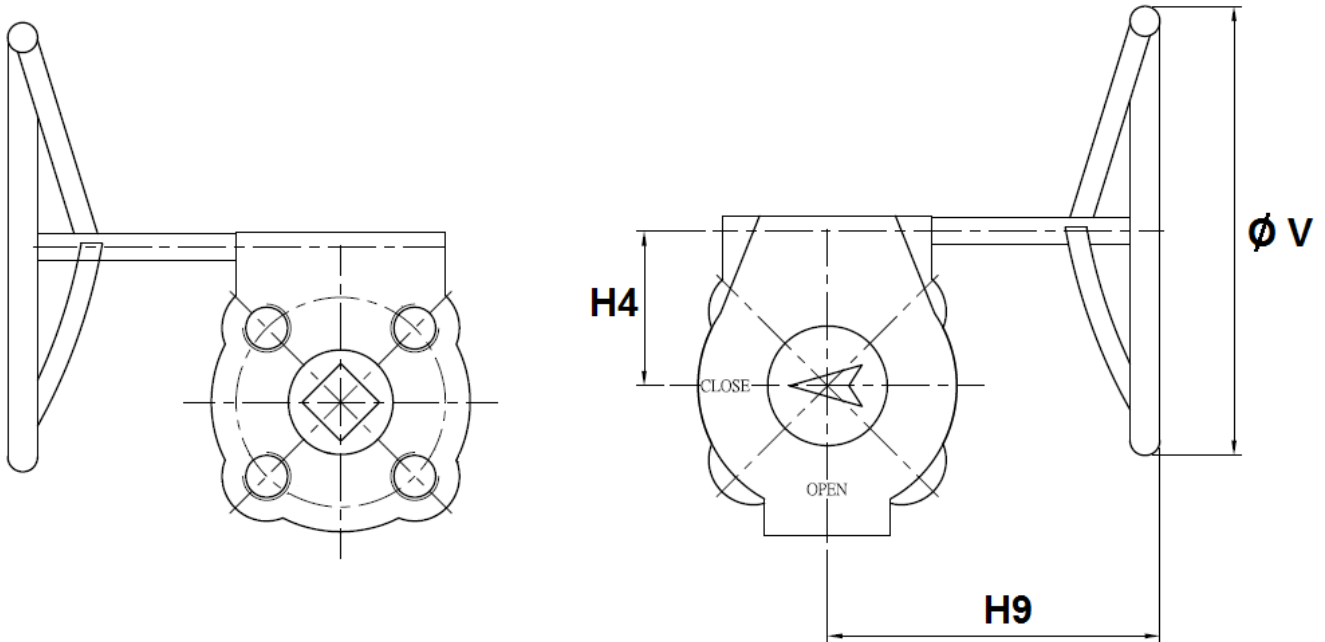
SIZE DN 250 - 300 (in mm) :



DN	250	300
Ø P	250	300
L	450	500
L1	223.5	-
L2	226.5	-
Ø V	300	300
H	260	298
H1	393	441
H2	85.5	74.5
Weight (in Kg)	157	176.5
Ref.	762250	762300

2 PIECES SPLIT BODY CARBON STEEL BALL VALVES FLANGED PN16/40 DIN 3202-1 F4/F5

GEARBOX SIZE (in mm) :



DN	150	200
H4	63	78
H9	238	226
Ø V	300	300
Weight (Kg)	12.5	15
Ref.	9830296	9830297

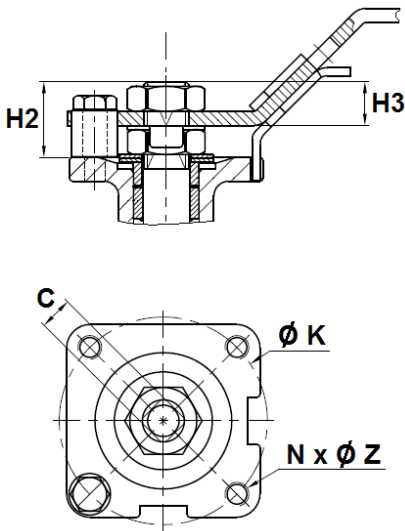
GEARBOX SPECIFICATIONS :

DN	150	200
Ref.	9830296	9830297
Ratio factor	30 :1	50 :1
Output torque (Nm)	700	1200

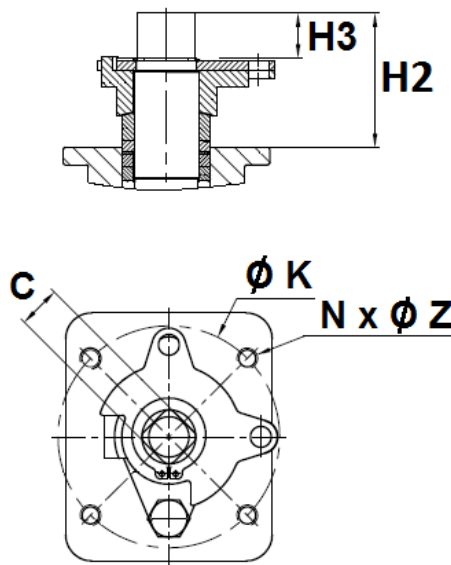
2 PIECES SPLIT BODY CARBON STEEL BALL VALVES FLANGED PN16/40 DIN 3202-1 F4/F5

ISO MOUNTING PAD AND STEM SIZE (in mm) :

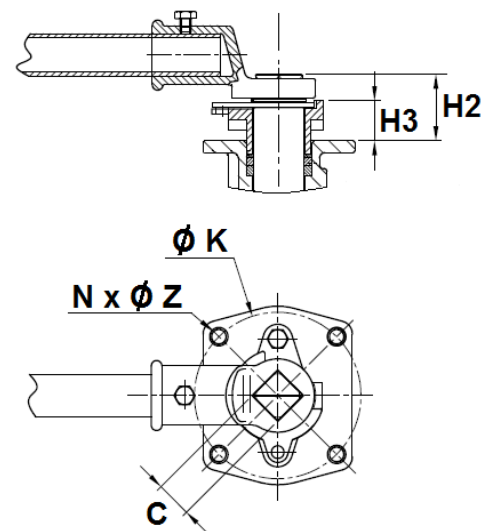
DN 15 – 50



DN 65 – 100



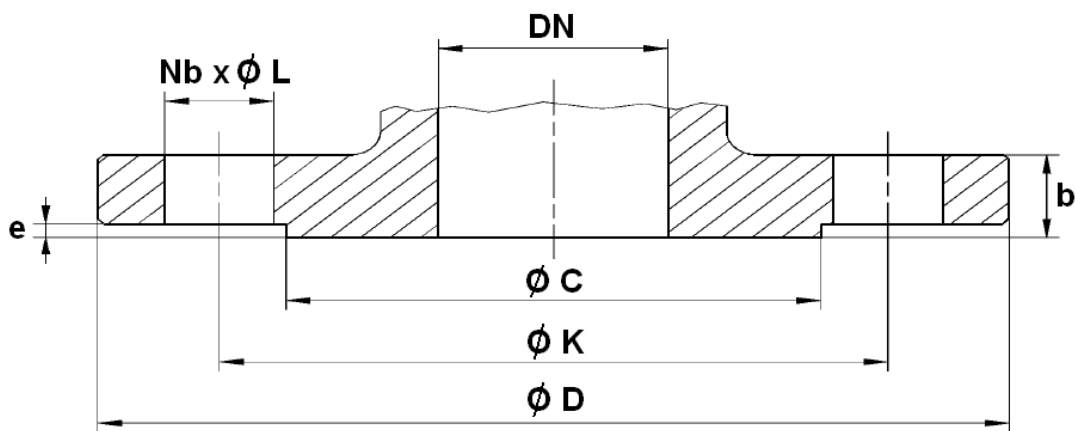
DN 125 - 300



DN	15	20	25	32	40	50	65	80	100	125	150	200	250	300
C	9	9	11	11	14	14	17	17	17	27	27	36	36	36
Ø K	42	42	50	50	70	70	102	102	102	125	125	140	140	140
ISO	F04	F04	F05	F05	F07	F07	F10	F10	F10	F12	F12	F14	F14	F14
N x Ø Z	4xM5	4xM5	4xM6	4xM6	4xM8	4xM8	4xM10	4xM10	4xM10	4xM12	4xM12	4xM16	4xM16	4xM16
H2	14.5	14	18	17	22	21.5	65.5	66.5	65.5	52	50	85.5	85.5	85.5
H3	8.5	8.5	12	12	14	14	27	27	27	32	31	40	41	-

2 PIECES SPLIT BODY CARBON STEEL BALL VALVES FLANGED PN16/40 DIN 3202-1 F4/F5

FLANGES SIZE (in mm) :



Ref.	DN	15	20	25	32	40	50	65
762	Ø C	45	58	68	78	88	102	122
	Ø D	95	105	115	140	150	165	185
	Ø K	65	75	85	100	110	125	145
	Nb x Ø L	4 x 14	4 x 14	4 x 14	4 x 18	4 x 18	4 x 18	4 x 18
	b	16	18	18	18	18	20	18
	e	2	2	2	2	3	3	3

Ref.	DN	80	100	125	150	200	250	300
762	Ø C	138	158	188	212	268	320	378
	Ø D	200	220	250	285	340	405	460
	Ø K	160	180	210	240	295	355	410
	Nb x Ø L	8 x 18	8 x 18	8 x 18	8 x 22	12 x 22	12 x 26	12 x 26
	b	20	20	22	22	24	26	28
	e	3	3	3	3	3	3	4



2 PIECES SPLIT BODY CARBON STEEL BALL VALVES FLANGED PN16/40 DIN 3202-1 F4/F5

STANDARDS :

- Manufacturer certified ISO 9001 : 2015
- DIRECTIVE 2014/68/EU : CE N° 0035
Risk Category III Module H
- Certificate 3.1 on request
- Construction according to EN 12516-1
- Pressure tests according to API 598, table 6
- PN16 R.F. flanges according to EN 1092-1 PN16
- ISO 5211 mounting pad
- Length according to EN 558 series 27 (DIN 3202-1 F4 up to DN100, DIN 3202-1 F5 over)
- ATEX Group II Category 2 G/2D Zone 1 & 21 Zone 2 & 22 (optional marking)
- Fire safe according to API 607 6th Edition 2010 up to DN200
- Foundry certified Bureau Veritas Marine & Offshore according to NR320 (BV Marine recognition Mode II)

ADVICE : Our opinion and our advice are not guaranteed and SFERACO shall not be liable for the consequences of damages.
The customer must check the right choice of the products with the real service conditions.